

COCKPIT ENGINE INSTRUMENTATION



H1850R Series AUTOTEMP^{®1} Indicators

The H1850R Series Indicators are solid-state analog/digital gauges, that measure the output of ANSI type K thermocouples.

Because temperature is one of the most critical engine parameters used in monitoring mechanical integrity, prolonged engine life is dependent upon avoiding operation at temperature limits. Howell's H1850R Series Temperature Indicators provide the level of accuracy needed to protect your investment. Digital accuracy is ± 1 °C, pointer accuracy is ± 6 °C of digital display.

The H1850 series single purpose indicators have both analog pointers and digital displays for redundancy. Maximum response time is one and one-half seconds to stabilize within ± 1 °C at full-scale.

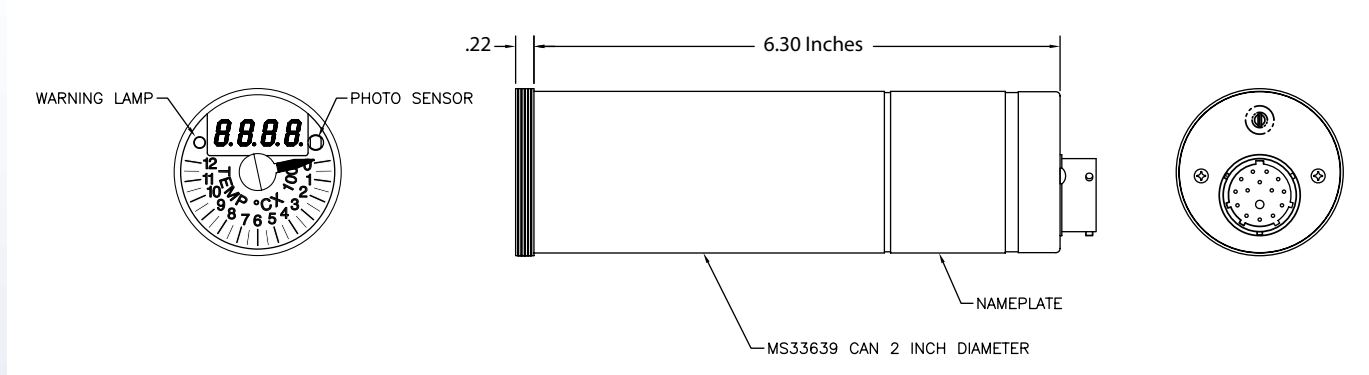


¹ AUTOTEMP[®] is a registered trademark of Howell Instruments, Inc.

Howell Instruments, Inc.
8945 South Freeway
Fort Worth, Texas 76140
www.howellinst.com
817-336-7411
Fax: 817-336-7874
info@howellinst.com

COCKPIT ENGINE INSTRUMENTATION

H1850 Series AUTOTEMP® Indicators



Specifications

Power Input	115 VAC, $\pm 10\%$, 380 to 420 Hz. Unit requires 10W maximum.
Signal Input	ANSI Type K Thermocouple. Range 0 to 1200 °C (0 to 2000 °F).
Digital Display	Four seven segment, green LED characters, with decimal point. NVG compatible per MIL-L-85762A. Brightness automatically controlled via an integral photoelectric cell.
Case	Per MS33639, 2 inch diameter, 6.5 inches long, hermetically sealed.
Weight	1.5 lbs Maximum
Connector Interface	MIL-C-26482 and MIL-C-5052
Environmental	DO-160C
Certification	TSO C43c
Optional Integral Lighting	5V AC/DC or 28 VDC system. White, red, blue/white, or NVG.
Optional Warning Lamp	An integral warning lamp can be supplied in red, yellow, orange and NVG blue/green. Limits set to customer specifications.



Howell Instruments, Inc. • 8945 South Freeway • Fort Worth, Texas 76140
www.howellinst.com • 817-336-7411 • Fax: 817-336-7874 • info@howellinst.com